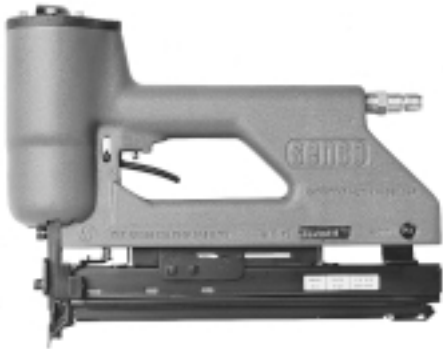


# SC1 & SC2 Joint Fasteners

Unique systems that clamp material together, holding and supporting it for the life of the product you manufacture.



## SC1 Senclamp

### SC1 Applications:

For butt joints, mortise and tenon joints, chair rungs, case corners, drawers, pilasters, cabinets/mirror frames, caskets, and curio cabinets.

### Features & Advantages:

These two versatile SENCO® tools power drives three sizes of fasteners for stronger joints and fewer assembly operations. They are designed to help you do a wide range of wood fastening applications faster, better, and for less money.

- These powerful tools consistently drive joint fasteners into even hard and dense materials.
- Eliminate milling, doweling, clamping, screwing, and other time-consuming, cost-adding operations.
- Safety prevents accidental firing, since the tools have to be in contact with the work surface to fire.
- The Senclamp high-carbon steel fastener derives added strength from its special webbed design.
- Sencor corrugated fasteners provide twice the joint strength of ordinary fasteners. That means you'll need fewer fasteners to complete the job.



The SC1 & Senclamp performs a butt joint in a mirror frame application.



## SC2 Sencor

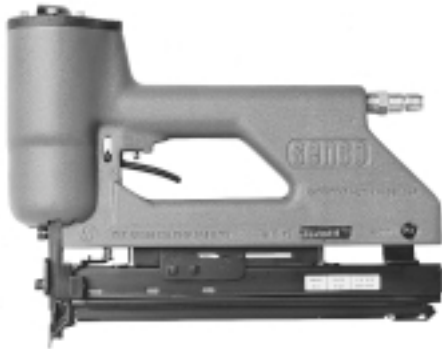
### SC2 Applications:

For butt joints in cabinet/furniture frames, door/window sash, millwork, truss construction, picture/mirror frames, wooden boxes, and pallet stringer repair.



The light SC2 & Sencor has excellent balance that helps reduce operator fatigue in millwork, door, and sash application

# SC1 & SC2 Joint Fasteners



## SC1 Tool Specifications:

Weight: 6.3 lbs.  
 Width: 3-1/4"  
 Height: 9-13/16"  
 Length: 12-11/16"  
 Lip Length: 1/2"  
 Fastener Capacity: 120 Reg.  
 Operating Pressure: 80-110 p.s.i.g.

## SC2 Tool Specifications:

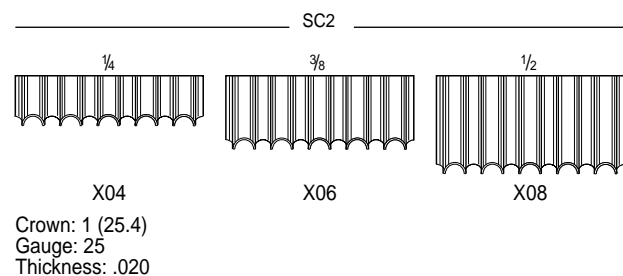
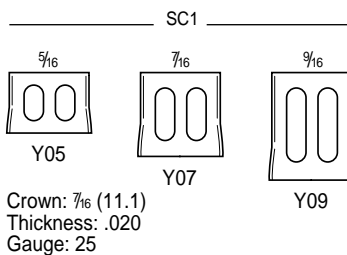
Tool Weight: 6.9 lbs.  
 Width: 3-1/4 "  
 Height: 9-1/4"  
 Length: 12-11/16"  
 Lip Length: 1-15/16"  
 Fastener Capacity: 106  
 Mode of Operation: Restrictive trigger  
 Reg. Operating Pressure: 90-110 p.s.i.g.

## Senclamp Specifications: SC1

Length	5/16"	1/16"	9/16"
	8 mm	11 mm	14 mm
Crown	7/16"	7/16"	
	11 mm	11 mm	11 mm
Thickness	.020" (25 ga)	.020" (25 ga)	.020" (25 ga)
	.5 mm	.5 mm	.5 mm
Part No.	Y05BFA	Y07BFA	Y09BFA
Senclamp/Strip	60	60	60

## Senclamp Specifications: SC1

Length	1/4"	3/8"	1/2"
	6.4 mm	9.4 mm	12.7 mm
Crown	1'	1'	1"
	25 mm	25 mm	25 mm
Thickness	.020" (25 ga)	.020" (25 ga)	.020" (25 ga)
	.5 mm	.5 mm	.5 mm
Part Number	X04NRA	X06NRA	X08NRA
Sencor/Strip	40	40	40



For additional information on how SENCO fastening systems will save you time, reduce costs, and increase quality, call your nearest Authorized SENCO Dealer or Distributor listed in the Yellow Pages under "Staples," or call our toll-free Action Line: 1-800-543-4596.