



Performance. Power.
Productivity.™

FramePro® 602

3½" Full Round Head 20° Framing/Sheathing Nailer

SENCO's FramePro 602 full round head nailers feature a toenail safety, rugged aluminum casting and the power to drive a wide range of fasteners in four gauges (.113, .120, .131 and .148) from 2" to 3½" to handle virtually any job.



Applications

Framing, truss building, subflooring, sheathing, decking, siding, fencing, pallets and crate assembly

Features and Benefits

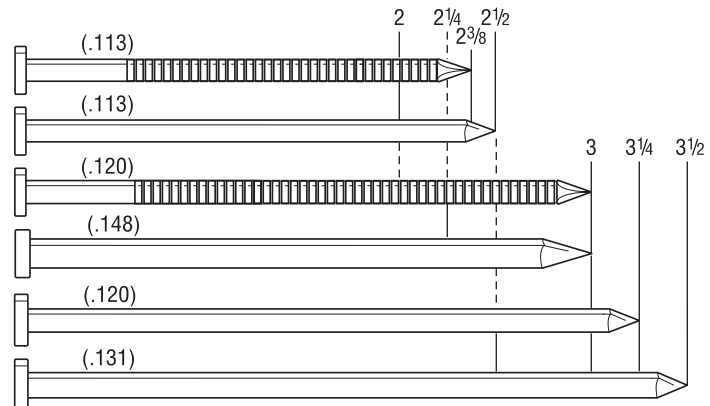
- Tool-free selectable trigger
- Sawtooth safety that digs in for precision toenailing
- In-linemagazine for better line of sight and superior maneuverability
- Reliable internal design with full round driver
- Dry fire lockout
- Tool-free adjustable exhaust
- Well-balance and powerful
- Tool-free adjustable depth-of-drive control
- Soft comfort grip handle reduces fatigue

Specifications

Item#	TBD
Selectable actuation trigger	
Reg. Operating Pressure	70-120 psi (4.8 - 8.3 bar)
Air Consumption (60 cycles per min.)	10 scfm
Air Inlet	3/8" NPT
Tool Weight	8.4 lbs (3.8kg)
Height	13.5" (343 mm)
Length	20" (508mm)
Width	4.17" (106 mm)
Fastener Capacity	60

Fastener Specifications

Shank Diameter	.113", .120", .131", .148"
Fastener Range	2" - 3½"
Finish	Bright Basic, Galv. & Stainless
Collation	20° angled nail strips



Choose the right trigger system for your specific needs!

Sequential Actuation Trigger (also known as restrictive trigger or trigger fire) operates in the following a sequence - depress the safety element at the nose of tool against the work surface then pull the trigger. After each fastener is driven, release the trigger and lift the tool off the work surface before starting the sequence again. This trigger is recommended and acceptable for most applications.

Contact Actuation Trigger (also known as dual action, bounce or bottom fire) operates in the following sequence- pull the trigger first and keep the trigger pulled while moving the tool along the work surface with a bouncing motion, depressing the safety element at the nose of the tool against the work surface where the fastener is to be driven. This trigger is recommended for use by trained professionals only in high production or volume applications.

Always read the Operators Manual and Safety Instructions with all tools to ensure proper use and safety precautions. For additional information on trigger systems and how SENCO will save you time, reduce costs, and increase quality, call our toll-free Action Line: 800-543-4596 to find your nearest Authorized Senco Dealer, Distributor or visit our web site at: www.senco.com

FramePro® 602 Features



20° Smooth Shank Plastic Collated Nails

Length	Item Code	Carton Count	Finish
<u>Bright Basic</u>			
2 x .113	GD21APBSN	5.M	Bright
2 1/4 x .113	GD23AHA5	2.8M	Bt. Hardened
2 1/4 x .148	MD23APBSN	4.M	Bright
2 3/8 x .113	M002063	2.5M	Bright
2 3/8 x .113	GD24APBSN	5.M	Bright
2 1/2 x .113	GD25APBSN	5.M	Bright
2 1/2 x .131	KD25APBSN	4.M	Bright
2 1/2 x .131	M002105	2.5M	Bright
3 x .120	HD27APBSN	4.M	Bright
3 x .131	KD27APBSN	4.M	Bright
3 x .131	M002044	2.5M	Bright
3 x .148	MD27APBSN	4.M	Bright
3 x .148	M002102	2.M	Bright
3 1/4 x .120	HD28APBSN	4.M	Bright
3 1/4 x .131	KD28APBSN	4.M	Bright
3 1/4 x .131	M002045	2.5M	Bright
3 1/4 x .148	MD28APBSN	4.M	Bright
3 1/2 x .131	KD29APBSN	4.M	Bright
3 1/2 x .131	M002101	2.5M	Bright

20° Ring Shank Plastic Collated Nails

Length	Item Code	Carton Count	Finish
<u>Bright Basic</u>			
2 x .113	GL21APBSN	5.M	Bright
2 3/8 x .113	GL24APBSN	5.M	Bright
2 3/8 x .113	M002041	2.5M	Bright
<u>Galvanized</u>			
2 x .113	GL21ASBS	2.5M	Hot Dip
2 3/8 x .113	GL24AABSNS	5.M	Galv
2 3/8 x .113	M002042	2.5M	Galv
2 3/8 x .113	GL24ASBS	2.5M	Hot Dip
3 x .120	HL27AABSNS	4.M	Galv
3 x .120	HL27ASBS	2.5M	Hot Dip
<u>Stainless</u>			
2 3/8 x .113	GL24AGBS	1.M	Stainless
3 x .120	HL27AGBS	1.M	Stainless